



WINDYMAN

1-legged
4m



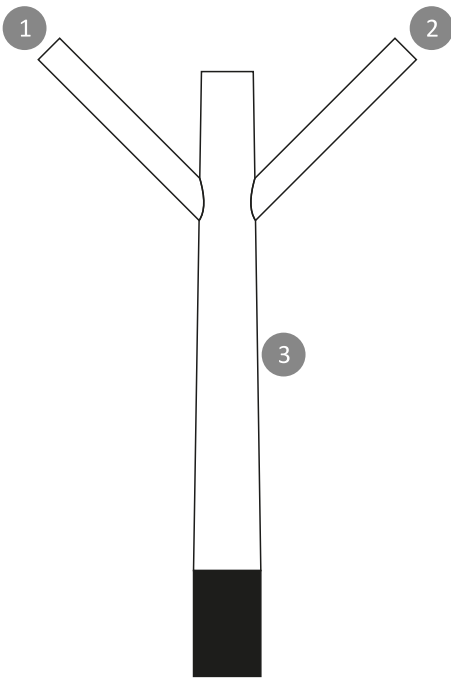
PROJECT



COMPANY



E-MAIL



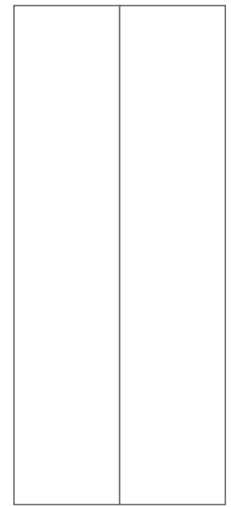
1

ARM 1
(FRONT/BACK)



2

ARM 2
(FRONT/BACK)



3

TRUNK
(FRONT/BACK)

PRODUCT

COMMENTS



The purchaser declares, that he accepts the above presented project according to which the final product will be made.
Any mistakes in the logo, colours, typos, errors in the text etc. will not be subject to complaint.
The sewing method, division of the fabric might differ from those presented in the project.
The fabric colour and print in the finished product might slightly differ.



Customer's signature



WINDYMAN

1-legged
5m



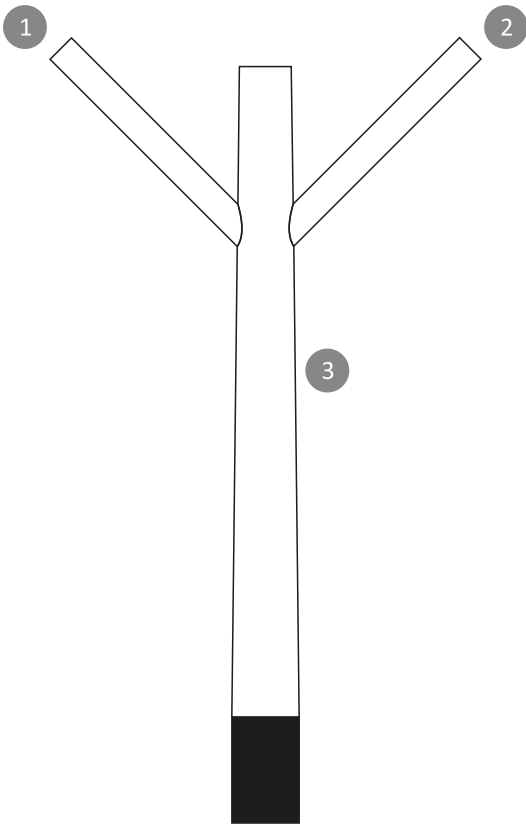
PROJECT



COMPANY



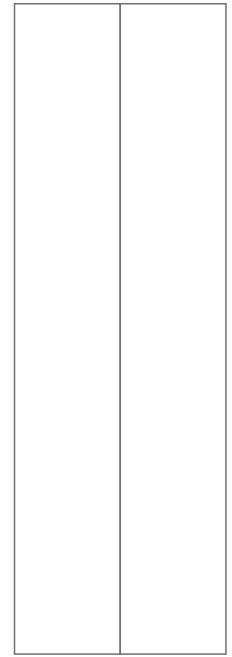
E-MAIL



1
ARM 1
(FRONT/BACK)



2
ARM 2
(FRONT/BACK)



3
TRUNK
(FRONT/BACK)

PRODUCT

Comments section for the project.

COMMENTS



The purchaser declares, that he accepts the above presented project according to which the final product will be made.
Any mistakes in the logo, colours, typos, errors in the text etc. will not be subject to complaint.
The sewing method, division of the fabric might differ from those presented in the project.
The fabric colour and print in the finished product might slightly differ.



Customer's signature



WINDYMAN

1-legged
6m



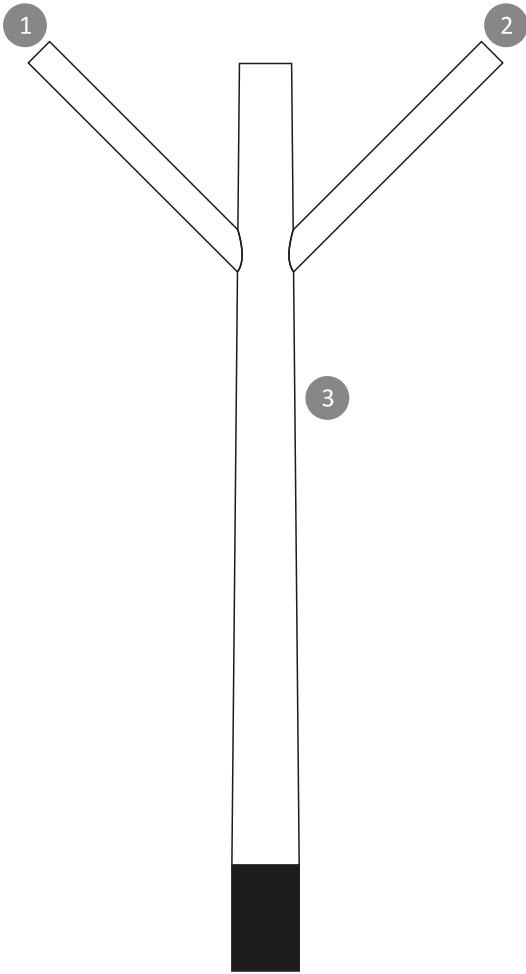
PROJECT



COMPANY



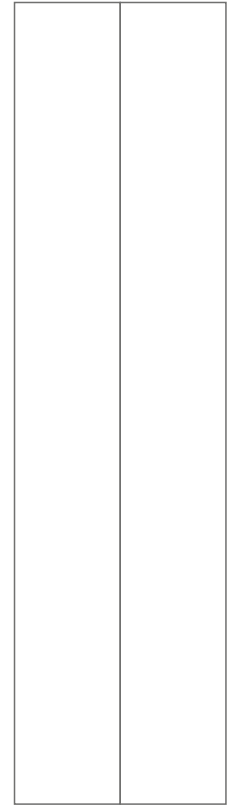
E-MAIL



1
ARM 1
(FRONT/BACK)



2
ARM 2
(FRONT/BACK)



3
TRUNK
(FRONT/BACK)

PRODUCT

Comments section for the project.

COMMENTS



The purchaser declares, that he accepts the above presented project according to which the final product will be made.
Any mistakes in the logo, colours, typos, errors in the text etc. will not be subject to complaint.
The sewing method, division of the fabric might differ from those presented in the project.
The fabric colour and print in the finished product might slightly differ.



Customer's signature



WINDYMAN

2-legged
4m



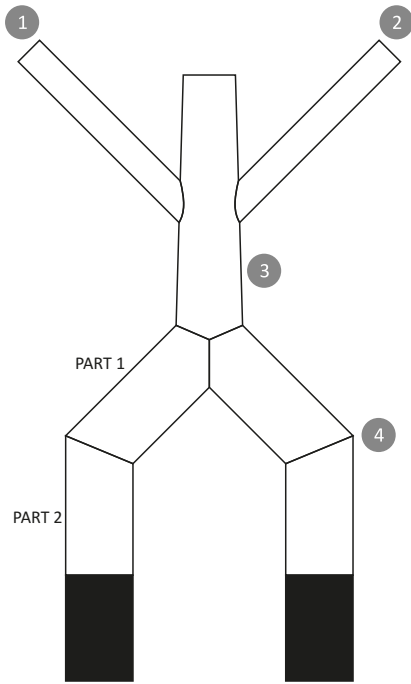
PROJECT



COMPANY



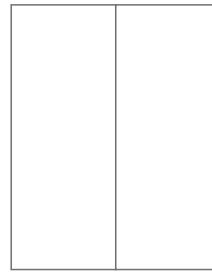
E-MAIL



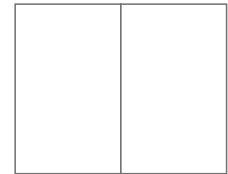
1
HAND 1
(FRONT/BACK)



2
HAND 2
(FRONT/BACK)



3
TRUNK
(FRONT/BACK)



PART 1



PART 2

4
LEG
(FRONT/BACK)

PRODUCT

COMMENTS



The purchaser declares, that he accepts the above presented project according to which the final product will be made.
 Any mistakes in the logo, colours, typos, errors in the text etc. will not be subject to complaint.
 The sewing method, division of the fabric might differ from those presented in the project.
 The fabric colour and print in the finished product might slightly differ.



.....
Customer's signature



WINDYMAN

2-legged
5m



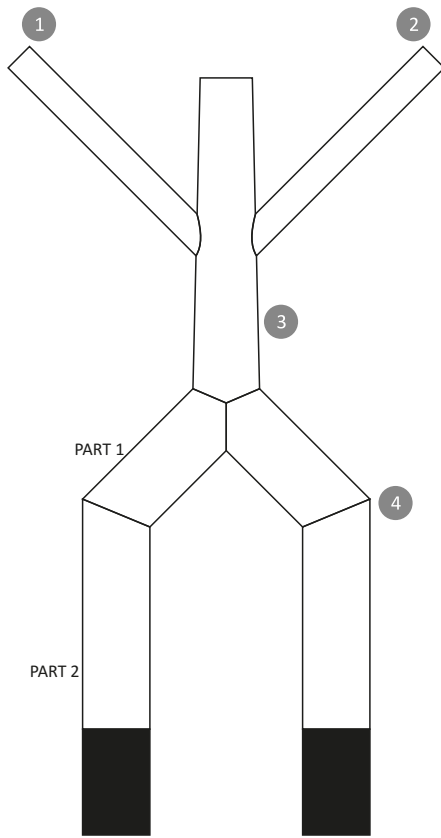
PROJECT



COMPANY



E-MAIL



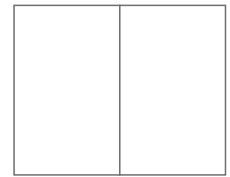
1
HAND 1
(FRONT/BACK)



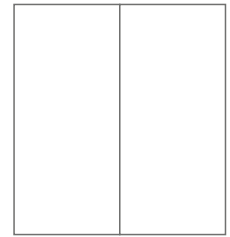
2
HAND 2
(FRONT/BACK)



3
TRUNK
(FRONT/BACK)



PART 1



PART 2

4
LEG
(FRONT/BACK)

PRODUCT

COMMENTS



The purchaser declares, that he accepts the above presented project according to which the final product will be made.
Any mistakes in the logo, colours, typos, errors in the text etc. will not be subject to complaint.
The sewing method, division of the fabric might differ from those presented in the project.
The fabric colour and print in the finished product might slightly differ.



.....
Customer's signature



WINDYMAN

2-legged
6m



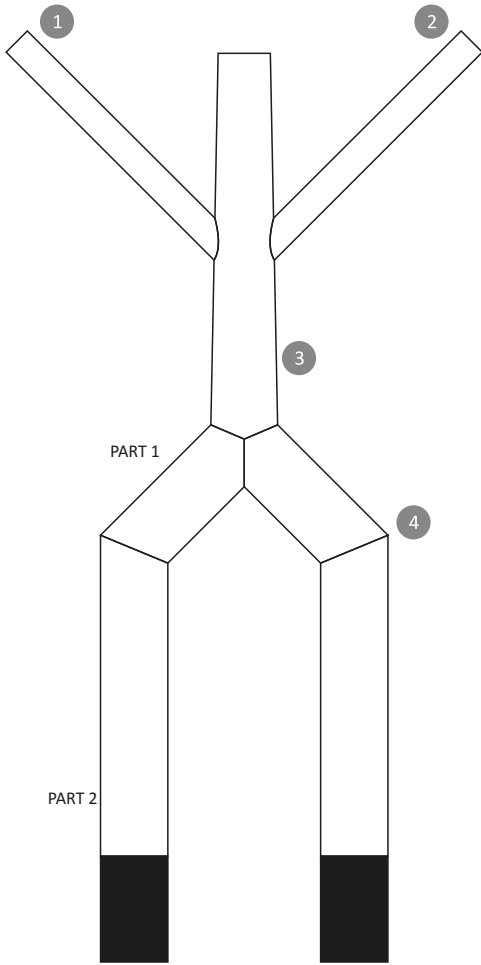
PROJECT



COMPANY



E-MAIL



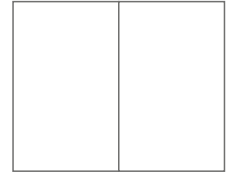
1
HAND 1
(FRONT/BACK)



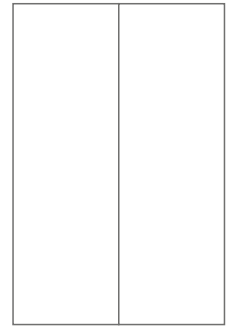
2
HAND 2
(FRONT/BACK)



3
TRUNK
(FRONT/BACK)



PART 1



PART 2

4
LEG
(FRONT/BACK)

PRODUCT

Comments section for the project.

COMMENTS



The purchaser declares, that he accepts the above presented project according to which the final product will be made.
 Any mistakes in the logo, colours, typos, errors in the text etc. will not be subject to complaint.
 The sewing method, division of the fabric might differ from those presented in the project.
 The fabric colour and print in the finished product might slightly differ.



Customer's signature